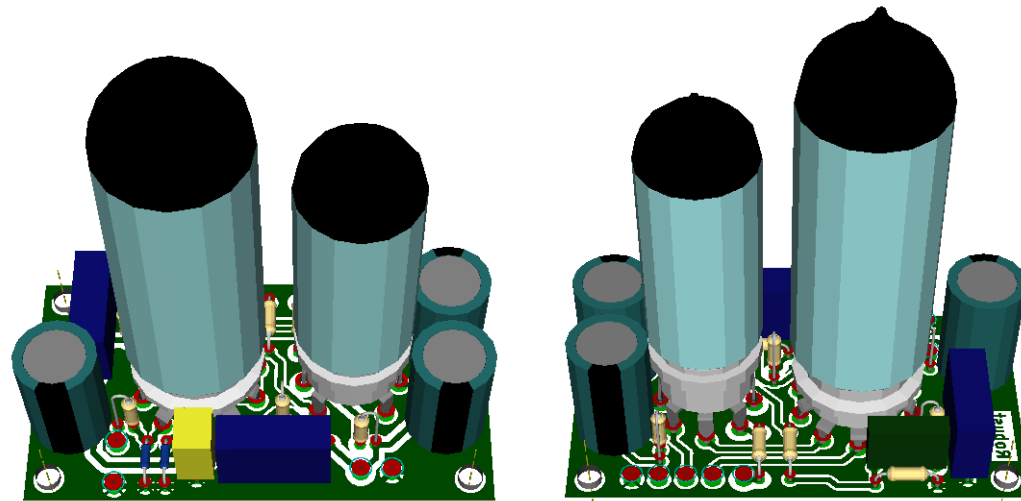
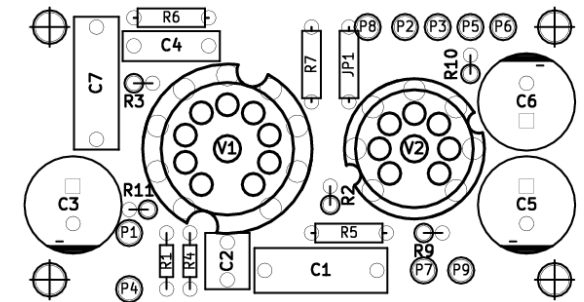


76 mm X 42 mm



C1	100n/300V	18mm X 6 mm, polypropylene, R15 mm (Evox Rifa PHE 840 E)
C2	22u/25V	axial
C3	22u/300V	13 mm diam, R5 mm
C4	22n/300V	13 mm X 4 mm, polypropylene, R10 mm (Evox Rifa PHE 840 E)
C5	10u/300V	13 mm diam, R5 mm
C6	220u/100V	13 mm diam, low impedance, R5 mm
C7	100n/300V	18mm X 6 mm, polypropylene, R15 mm (Evox Rifa PHE 840 E)

R1	4k7	All resistors 0.6W metal Oxide
R2	1M	
R3	220k	
R4	2k2	
R5	10k	
R6	1M	
R7	47k	
R9	100	
R10	150	
R11	47k	

V1	EF86	socket gc29-b
V2	EL95	socket gc27-y

OT Hammond 1760C

All voltages in this BOM are MINIMUM ratings.
 All sizes are MAXIMUM footprints for components.
 All resistors 0.6W metal Oxide.
 R# describes distance between components legs.

Robust Amps		
File: Pohja.sch		
Sheet: /		
Title: Dual Pentode Amplifier		
Size: A4	Date: 20 feb 2014	Rev:
KiCad E.D.A.		Id: 1/1